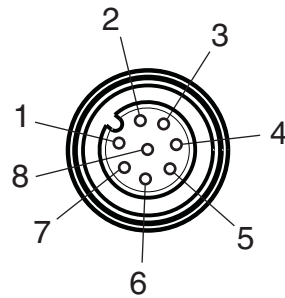


## PSEN Cable M12 8p VA

### Connector pin assignment

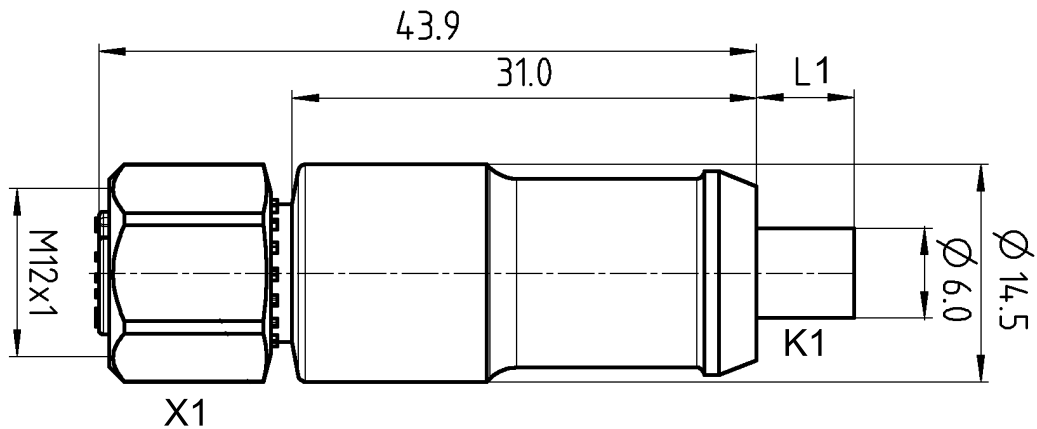
#### Colour coding

1	white
2	brown
3	green
4	yellow
5	grey
6	pink
7	blue
8	red



Plan view plug-in connector X1

### Dimensions in mm



## PSEN Cable M12 8p VA

## Technical details

<b>General</b>	<b>533190</b>	<b>533191</b>
Certifications	ECOLAB, cULus Listed	ECOLAB, cULus Listed
<b>Electrical data</b>	<b>533190</b>	<b>533191</b>
Rated voltage		
Voltage UB	<b>30 V</b>	<b>30 V</b>
Rated current	<b>2 A</b>	<b>2 A</b>
Test voltage	<b>3.000 V</b>	<b>3.000 V</b>
Typ. conductor resistance K1	<b>79 Ohm/km</b>	<b>79 Ohm/km</b>
Insulation resistance	<b>100 MOhm</b>	<b>100 MOhm</b>
Cable insulation resistance K1	<b>200 MOhm x km</b>	<b>200 MOhm x km</b>
Volume resistance	<b>3 mOhm</b>	<b>3 mOhm</b>
<b>Environmental data</b>	<b>533190</b>	<b>533191</b>
Temperature when using in the drag chain	<b>-5 - 60°C</b>	<b>-5 - 60°C</b>
Ambient temperature		
Temperature range	<b>-40 - 105 °C</b>	<b>-40 - 105 °C</b>
Temperature range (moving)	<b>-5 - 105 °C</b>	<b>-5 - 105 °C</b>
Airgap creepage		
Overvoltage category	<b>II</b>	<b>II</b>
Pollution degree	<b>3</b>	<b>3</b>
Rated impulse withstand voltage	<b>0,8 kV</b>	<b>0,8 kV</b>
Protection type		
X1 when inserted	<b>IP69K</b>	<b>IP69K</b>
Housing	<b>IP69K</b>	<b>IP69K</b>
<b>Mechanical data</b>	<b>533190</b>	<b>533191</b>
Plug-in connector X1	<b>M12, 8-pin female connector</b>	<b>M12, 8-pin female connector</b>
In accordance with the standard	<b>EN 61076-2-101</b>	<b>EN 61076-2-101</b>
Form, plug-in connector X1	<b>Straight</b>	<b>Straight</b>
Material of ring nut X1	<b>Stainless steel 1.4404</b>	<b>Stainless steel 1.4404</b>
Housing material X1	<b>PP</b>	<b>PP</b>
Material of contact surface X1	<b>Au</b>	<b>Au</b>
Material of gasket	<b>EPDM</b>	<b>EPDM</b>
Material of socket	<b>CuSn</b>	<b>CuSn</b>
Conductor material K1	<b>Cu</b>	<b>Cu</b>
Insulating cover for conductor K1	<b>PVC Y17 (105°)</b>	<b>PVC Y17 (105°)</b>
Mating cycles X1	<b>100</b>	<b>100</b>
Cable length L1	<b>5 m</b>	<b>10 m</b>
Colour of external cable insulation K1	<b>Signal yellow, RAL1003</b>	<b>Signal yellow, RAL1003</b>

## PSEN Cable M12 8p VA

Mechanical data	533190	533191
Colour of housing	Light grey	Light grey
Cable insulation material K1	PVC YM3 (105°)	PVC YM3 (105°)
Drag chain suitable K1	yes	yes
Min. bending radius (fixed permanently) K1	5 x Ø	5 x Ø
Min. bending radius (moving) K1	10 x Ø	10 x Ø
Max. traverse path K1	5 m	5 m
Bending cycles cable K1	2.000.000	2.000.000
Max. traverse path K1	2 m	2 m
Max. traverse speed K1	3,3 m/s	3,3 m/s
Max. acceleration K1	5 m/s <sup>2</sup>	5 m/s <sup>2</sup>
Cable diameter K1	6 mm	6 mm
Max. cable diameter K1	6,2 mm	6,2 mm
Conductor cross section K1	0,25 mm <sup>2</sup>	0,25 mm <sup>2</sup>
Conductor cross section AWG K1	24	24
Wire colour K1	White, brown, green, yellow, grey, pink, blue, red	White, brown, green, yellow, grey, pink, blue, red
Stranding K1	Cores stranded in concentrical layers	Cores stranded in concentrical layers
Shielding K1	No	No
No. of wires K1	8	8
Certification cable K1	UL AWM-Style 2517 VW1	UL AWM-Style 2517 VW1
Halogen-free	No	No
Silicone-free	yes	yes
Oil resistance	Resistant	Resistant
Non-flammability	EN 50265-2-2, IEC 60332-2, UL VW1, VDE 0482-265-2-2	EN 50265-2-2, IEC 60332-2, UL VW1, VDE 0482-265-2-2
Torque of the interlock screw	approx. 50 cNM	approx. 50 cNM
Weight	260 g	510 g

### Order reference

Product type	Features	Connector X1	Connector X2	Connector X3	Order no.
PSEN cable M12-8sf VA 5m	5 m	M12, 8-pin female connector, straight, stainless steel threaded ring			533 190
PSEN cable M12-8sf VA 10m	10 m	M12, 8-pin female connector, straight, stainless steel threaded ring			533 191